

Fold-A-Goal

Tournament Indoor & Outdoor Goals

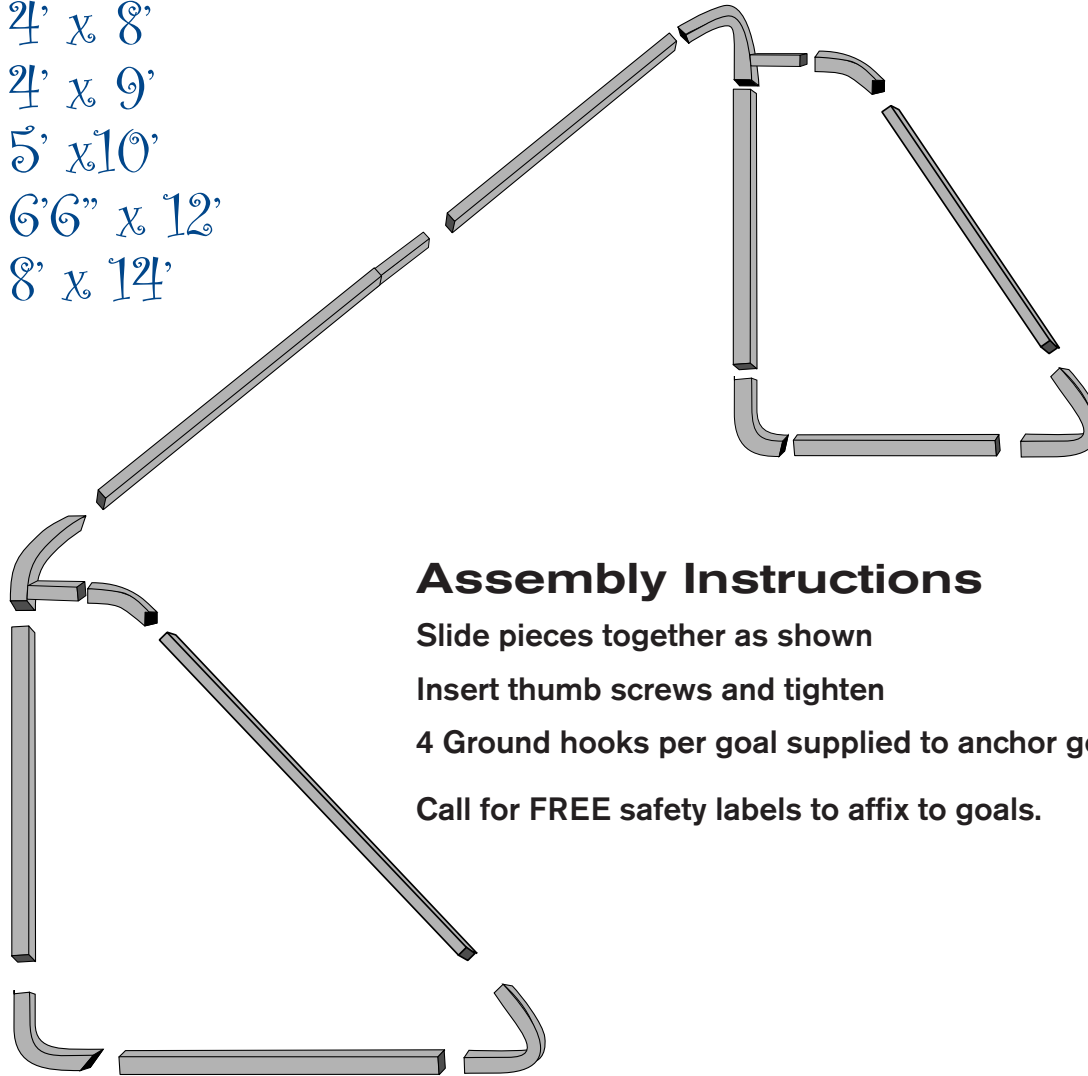
4' x 8'

4' x 9'

5' x 10'

6'6" x 12'

8' x 14'



Assembly Instructions

Slide pieces together as shown

Insert thumb screws and tighten

4 Ground hooks per goal supplied to anchor goals to ground

Call for FREE safety labels to affix to goals.

www.fold-a-goal.com

info@fold-a-goal.com

WARNING

ALWAYS ANCHOR GOAL

Unsecured Goal
Can Fall Over
Causing
Injury or Death



NEVER CLIMB ON GOAL

Goal Can Fall
Over Causing
Serious Injury
or Death

FOLD-A-GOAL
Manufactured By
D. HAUPTMAN CO., INC.
Los Angeles, CA (800) 542-4625